

## LINKING RELIGIOSITY TO SOCIO-ENTREPRENEURSHIP INTENTION: A CASE OF MUSLIM YOUTH

Annes Nisrina Khoirunnisa<sup>1</sup>, Uma Zalfa Salsabiil<sup>2</sup>, Fajar Sodik<sup>3</sup>,  
Nala Syifa Dewanti<sup>4</sup> and Rizaldi Yusfiarto<sup>5</sup>

<sup>1</sup>UIN Sunan Kalijaga Yogyakarta, Indonesia, 19108030053@student.uin-suka.ac.id

<sup>2</sup>UIN Sunan Kalijaga Yogyakarta, Indonesia, 19108040053@student.uin-suka.ac.id

<sup>3</sup>UIN Sunan Kalijaga Yogyakarta, Indonesia, 19108020003@student.uin-suka.ac.id

<sup>4</sup>UIN Sunan Kalijaga Yogyakarta, Indonesia, 20108010001@student.uin-suka.ac.id

<sup>5</sup>UIN Sunan Kalijaga Yogyakarta, Indonesia, 199011222019031012@uin-suka.ac.id

### ABSTRACT

Using an integrated entrepreneurial model, this study examines social entrepreneurship intention of Muslim youth in Indonesia. In the study, a total of 206 Muslim youths is surveyed and the data are analyzed using the partial least squares structural equation model (PLS-SEM). The findings show that, while religiosity does not have a direct effect on socio-entrepreneurial intention, it increases perceived desirability. We reason that the religiosity of Muslim youth is more on the formation of positive perceptions, which give rise to desires and intentions to be socio-entrepreneurs. Thus, the application of social entrepreneurship among Muslim youth in Indonesia is supported by not only profits but also individual beliefs in creating social value and prospering society.

*Keywords:* Social entrepreneurial intention, Entrepreneurial intention, Entrepreneurial integrated model, Religiosity.

**JEL classification:** L26; L31.

#### *Article history:*

Received : November 24, 2022

Revised : February 13, 2023

Accepted : May 30, 2023

Available online : May 31, 2023

<https://doi.org/10.21098/jimf.v9i2.1647>

## **I. INTRODUCTION**

Social entrepreneurship has been a focus of various studies (Peredo and McLean, 2006). Many mention that a potential strategy to overcome social problems is social entrepreneurship (Urbaniec, 2018). This is particularly relevant in developing countries. As an example, through business innovation, social entrepreneurship can play a key role in alleviating inequality (Kannampuzha and Hockerts, 2019). However, due to differences in cultural factors and institutional supports, the dynamics of entrepreneurship in developing countries tend to be significantly different from that of developed countries (Wennekers et al., 2005).

In line with this, currently, the entrepreneurship ratio in Indonesia is only 3.47% of the population. While the Government of Indonesia targets the growth of the entrepreneurship ratio to reach 3.95% by 2024 to support a stronger national economy, it is still lower than other countries in Southeast Asia. In Singapore, the entrepreneurship ratio is 8.76% while in Thailand and Malaysia are at 4.26% and 4.74% respectively (Ministry of Cooperatives and SMEs, 2022). This fact highlights several problems and issues related to the implementation of entrepreneurship in Indonesia, especially the state of and factors that drive social-entrepreneurial intention.

Several previous studies have discussed social entrepreneurial intention (Sousa-Filho et al., 2020; Hockerts, 2017). However, its discussion in the context of Muslim countries or Muslims is largely absent. In this study, we extend Krueger's (2017) socio-entrepreneurial integrated model by adding religiosity constructs in a Muslim's setting. We argue that individual's desire for entrepreneurship is not only driven by passion and environmental influences but also by spiritual beliefs (Sulung et al., 2020). According to Gursoy et al. (2017), Muslim entrepreneurs should implement and follow Islamic teachings in their business processes. For this reason, it is important that, in examining the antecedents involved in social entrepreneurship intention, individual religious factors are considered. By considering the religiosity aspect, this paper would contribute to our understanding of entrepreneurial intention in a Muslim country in a more comprehensive way.

The rest of the paper is structured as follows. The next section reviews various models of social entrepreneurial intention as well as some empirical studies. The third section describes the sampling procedure, the methods used in data collection, and the variables and measurement methods. The results and discussion are presented in the fourth section. Finally, the fifth section provides the conclusion of the study and recommendations for further research.

## **II. LITERATURE REVIEW**

### **2.1. Background Theory**

#### **2.1.1. Social Entrepreneurship and Islamic Perspective**

Social entrepreneurship in general focuses on supporting social activities and generating social value while at the same time maximizing profits (Campopiano & Bassani, 2021; Farinha et al., 2020). In practice, however, social entrepreneurship emphasizes business activities with a specific vision, identifying problem-solving processes and prioritizing socially oriented missions (Farinha et al., 2020; Phillips et al., 2015). Furthermore, Peredo and McLean (2006) explain entrepreneurship in

its application upholds the value that can be given to society, and individuals in this case can analyze opportunities and use them in productive businesses that provide social value to society. Analysis of these opportunities is accompanied by the creation of new innovations and risk analysis of social entrepreneurship decisions so that their application can be optimal. According to previous research, social entrepreneurship is viewed to be able to support a strong economic system evidenced by its effects on the creation of new industries, resource allocation and new business models (Santos, 2012).

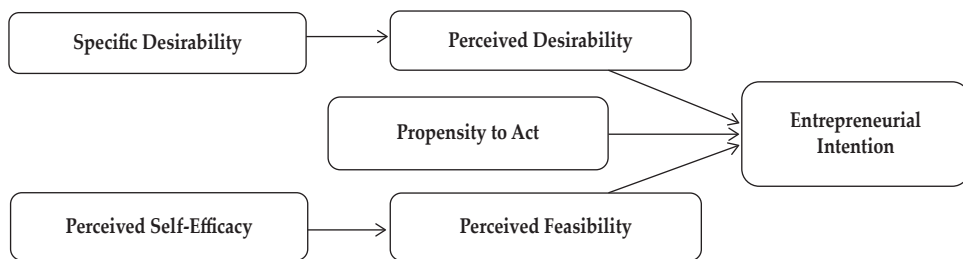
In Islamic perspective, social entrepreneurship is more than a combined offering between Islamic, social and entrepreneurship. This concept has the basis of three pillars, the first is related to entrepreneurship, namely the pursuit of opportunities, the second is socio-economic or ethical, and the third is religio-spiritual (Gümüşay, 2015). Utilization of opportunities for business must have the ultimate goal of creating sustainable social impact and as a means of overcoming social complications (Haque et al., 2018). For example, excess profits that arise must be channeled back to the community, through instruments such as zakat, infaq, and waqf (Mohammadi et al., 2020). Therefore, in the practice of entrepreneurship, Islam strictly prohibits monopoly, exploitation, fraud or usury transactions (Ratten et al., 2017). The expectation of this integration between business and social activities is the impact of sustainable economic stability. Several studies state that entrepreneurial behavior is influenced by several aspects, one of which is the socio-psychological aspect which includes religious values (Dwi Saputra et al., 2021; Rehan et al., 2019). Furthermore, religious values which are manifested in behavior will direct individuals to carry out activities that have an impact on solving community social problems (Hati & Idris, 2014).

### **2.1.2. Entrepreneurial Intention Model**

The research framework normally used in analyzing entrepreneurial intentions is a framework developed from the entrepreneurial event model (EEM) by Shapero and Sokol (1982). The EEM analyzes intentions based on internal and external factors. It posits that the development of entrepreneurial intentions must meet two prerequisites, namely, understanding that the decision to become an entrepreneur is an interesting idea and a positive experience (Krueger et al., 2000; Shapero & Sokol, 1982). Davids (2017) suggests that the individual must have ideas and intention to start a credible and realistic business so that it can be realized in real terms. The EEM framework explains the analysis of the emergence of intentions in entrepreneurship by having an idea first to be developed so that the idea is considered realistic and can be realized in real terms and is feasible to be realized. Perceptions of feasibility and desire supported by self-efficacy can then form personal intentions and desires in social entrepreneurship efforts that can lead to potential and opportunities to realize the implementation of social entrepreneurship (Esfandiar et al., 2017).

Previous studies provide an in-depth understanding of entrepreneurial behavior. In their research, Krueger et al. (2000) compare the predictive power of the EEM and the Theory of Planned Behavior (TPB) and show that both models are robust. However, the exogenous TPB does not explain entrepreneurial intention

as strongly as the EEM exogenous construct does (see Figure 1). For these reasons, the EEM model is modified by combining the TPB model and EEM into a single integrated model. This combined model focuses on the tendency of behavioral capacities, social norms, and attitudes that exist in the TPB, overall forming a simultaneous model with important dimensions of EEM, and overall clarifying the entrepreneurial decision-making process (Krueger, 2017).



Source: Krueger et al. (2000)

**Figure 1.**  
**Shapero-Krueger Entrepreneurial Intention Model**

### 2.1.3. Previous Studies

Several previous studies have focused on the determinants of social entrepreneurship intentions. Table 1 lists some previous studies on social entrepreneurship. Most of these studies employ the Hockerts (2017) model using constructs of empathy, moral obligation, self-efficacy and perceived social support to explain entrepreneurial intention. The results show that empathy, moral obligation, self-efficacy of social entrepreneurship, perceived social support, experience can affect a person's intention to become an entrepreneur who is aware of social problems (see Table 1).

**Table 1.**  
**Previous Studies**

Author (s)	Building Theory	Respondents	Country
Hockerts et al. (2017)	Empathy, Moral Obligation, Social Entrepreneurial Self-Efficacy, Perceived Social Support, Experience	Master of Science Management student	Scandinavian
Tiwari et al. (2017)	Model of entrepreneurial intention (Krueger, 1993)	Undergraduate students in India	India
Sousa-Filho et al. (2020)	Developed from the Hockerts (2017) model	Individual in Brazil	Brazil
Aloulou & Algarni (2022)	Developed from the Hockerts (2017) model	Individual in Saudi	Saudi Arabia
Ip et al. (2021)	Developed from the Hockerts (2017) model	Individual in Taiwan	Taiwan
Claeyé et al. (2022)	Developed from Qualitative Grounded Approach	Individual in France	French
Paramita et al. (2022)	Used Individual ethical decision-making theory	Individual in Indonesia	Indonesia
Ip et al. (2022)	Empathy, experience, outcome expectations, self-efficacy, social entrepreneurial behavior, social support	Individual in China	China

### III. METHODOLOGY

#### 3.1. Data

This study uses a quantitative approach to analyze the data obtained. The research data unit is young Muslim from Islamic educational institutions (i.e. universities) in Indonesia. This is because Islamic educational institutions incorporate Islamic religious values into strategies for increasing entrepreneurial skills, so that they are relevant to the purpose of this study (Wibowo et al., 2022). Furthermore, questionnaires are used to collect research data, distributed using online media (i.e. whatsapp, email etc). Previous studies have employed a questionnaire approach to examine entrepreneurial intentions in various fields (Boubker et al., 2021; Esfandiar et al., 2017; Martínez-González et al., 2022; Sousa-Filho et al., 2020).

Regarding the sampling method, a convenience sampling approach is used. The approach meets the criteria of convenience, accessibility, and time availability (Etikan, 2016). The sample data are from 206 respondents. Table 2 provides detailed demographic information of these respondents.

Measurement of constructs is based a 5-point Likert scale, starting from strongly disagree (one) to strongly agree (five). The items/questions in the questionnaire are from previous studies, but adapted and modified according to socio-entrepreneurial intention settings. The construction of religiosity and perceived social norms are based on respectively three and four items, each adapted from Esfandiar et al. (2017) Shook and Bratianu (2010), and Sulung et al. (2020). The next constructs namely perceived desirability, perceived feasibility, perceived opportunity and propensity to act are all measured using three questionnaire items, each adapted from Esfandiar et al. (2017), Shook and Bratianu (2010) and Shapero and Sokol (1982). In addition, the constructs of perceived social self-efficacy (four items) and collective efficacy (three items), respectively, are adapted from Esfandiar et al. (2017) and Sousa-Filho et al. (2020). Finally, the constructs of entrepreneurial goal intention (three items) and entrepreneurial implementation intention (two items), are both adapted from Esfandiar et al. (2017).

**Table 2.**  
**Frequency of Respondents**

Frequency	Account	%	
Gender	Male	80	38.8%
	Female	126	61.2%
Age	17-20 years old	110	53.4%
	21-25 years old	96	46.6%
Education	Bachelor's degree	206	100.0%
Muslim	Yes	206	100.0%
	Yes	95	46.0%
Ever Study in <i>Pesantren</i>	No	111	54.0%
	Special Region of Yogyakarta	115	55.8%
Domicile by Province	Central Java	40	19.4%
	East Java	15	7.3%
	West Java	10	4.9%
	Others	26	12.6%

### 3.2. Method

The analytical method used is partial least squares structural equation modeling (PLS-SEM), while the Smart-PLS 3 and R software are used in processing the data obtained. PLS-SEM is used because of the limited number of respondents and the research model that tends to be complex. Also, the purpose of the study is to predict the main target and/or identify relevant antecedent constructs (Hair, Sarstedt, et al., 2014). Several previous studies have noted the advantages and ability of this method to solve problems in entrepreneurial studies that have complex models (Esfandiar et al., 2017; Martínez-González et al., 2022; Sousa-Filho et al., 2020). Therefore, the use of the PLS-SEM approach is appropriate for this study.

*Outer model evaluation.* The interpretation of the PLS-SEM approach consists of two stages, namely the analysis of the measurement model (outer model) and analysis of the structural model (inner model). For the outer model, this study uses reflective path settings (common factors) to measure the contribution of indicators to a construction (Hair et al., 2018). Furthermore, the measurement of reliability and validity is applied in the evaluation stage of the outer model. This is done to establish the basic accuracy of the assessment before entering the inner model evaluation (Hair et al., 2014).

*Inner model evaluation.* For the structural model, this study analyzes both direct and indirect relationships, where indirect the latter accommodates an interaction moderation approach (Becker et al., 2018). In testing the hypothesis, this study assesses the level of significance using the bootstrap 5.000 approach (resampling) bias-corrected and accelerated confidence interval (BCCI) with  $p$ -value for a two-tailed significance (\*  $p$ : 0.05, \*\*  $p$ : 0.01, \*\*\*  $p$ : 0.001) (F. Hair Jr et al., 2014). Finally, this study accommodates the robustness setting in the structural model. Due to the robustness of the results of the structural model by examining the effects of endogeneity, nonlinearity and unobserved heterogeneity, it is an important guide in the use of PLS-SEM and is considered mandatory for analysis (Sarstedt et al., 2020).

### 3.3. Model Development

#### 3.3.1. Religiosity (RG)

Religiosity in entrepreneurship refers to the level of individual spirituality in interpreting other perspectives from the results of their business, which is a spiritual path that becomes a reference in their daily life (Balog et al., 2014). Furthermore, Torres-Harding et al. (2013) explain that individual religiosity will guide decision making in daily activities such as business activities. Therefore, religiosity is closely related to perceived desire, because religiosity in certain circumstances is the result of individual norms and attitudes so as to develop desires, intention, then the entrepreneurship implementation (John et al., 2022).

Several previous findings confirm that the entrepreneurial intention can be explained by religiosity (David & Lawal, 2018; Ranjani, 2017). In line with this study, research conducted in analyzing entrepreneurial intention in China shows that entrepreneurial intention is significantly influenced by individual religious beliefs in their decision making (Zhu, Shen, Lee and Liu, 2022). So it can be concluded that religious belief is one of the factors that can influence decisions

in terms of intention in entrepreneurship and affect the perspective of business actors in making decisions and the value created in the business. Based on the explanation above, the hypotheses can be stated as follows:

H1: RG has a significant effect on perceived desirability.

H2: RG has a significant effect on socio-entrepreneurial goal Intention.

### **3.3.2. Perceived Social Norms (PSN)**

Social norms reflect inherent social values and influence engagement in business creation (Krueger, 2017). Omid Najafabadi et al. (2016) define social norms as perceptions that are built on beliefs, values and norms that are formed on the influence of people around the individual in terms of individual relevance in determining the decision to implement the norm. The conclusion from previous research is that social perceptions can positively and significantly shape perceived desirability whose final output is business creation and intention in entrepreneurship (Hosseini & Shiri, 2010; Omid Najafabadi et al., 2016; Shook & Bratianu, 2010). Thus, the hypothesis can be postulated as follows:

H3: PSN has a significant effect on perceived desirability.

### **3.3.3. Perceived Desirability (PD)**

Perceived desirability underlines the level of perceived intention of individuals towards a business activity (Boukamcha, 2015). To develop a positive attitude towards business, individuals should first have confidence that every decision taken in taking action will have consequences (Krueger et al., 2000). This relates to the extent to which a person perceives that business is an interesting and fun activity, so that it can underlie one's intentions in entrepreneurship (Otache et al., 2021). It can be concluded that the more positive the individual's attitude, the more a perception of desire will be formed so that it can analyze opportunities optimally. The perceived desirability also forms a positive attitude which can have a significant effect on the emergence of socio-entrepreneurial intentions (Esfandiar et al., 2017; Shook & Bratianu, 2010). Therefore, the researcher has the following hypotheses:

H4: PD has a significant effect on perceived opportunity.

H5: PD has a significant effect on socio-entrepreneurial goal intention

### **3.3.4. Perceived Social Self-efficacy (PSE) and Collective-efficacy (CE)**

Perceived social self-efficacy is a description of an individual's ability and belief in performing social tasks and the mission of providing value in society (Gecas, 2009). This is illustrated by individuals who have higher social self-efficacy, their responsibility and performance in completing work in society are getting better and more reliable for more sustainable performance (Smith & Betz, 2000). Social self-efficacy is a concept that can analyze human behavior in identifying choices in order social context, levels of effort and persistence (Chen et al., 2004). Previous research has explained that there is a strong relationship between social self-efficacy and the completion of social tasks in society. Smith and Betz (2000) state

that someone with high social self-efficacy is more desirable. Furthermore, Doanh and Bernat (2019), note that there is a strong correlation between self-efficacy and entrepreneurial feasibility. Perceived social self-efficacy also functions collectively, which refers to a person's perception of whether his team members are capable of performing individual actions (Esfandiar et al., 2017). Therefore, the researcher hypothesizes that:

H6: PSE has a significant effect on perceived feasibility

H7: CE has a significant effect on perceived feasibility

### **3.3.5. Perceived Feasibility (PF)**

Decisions in entrepreneurship are determined by the information received and the motivation obtained and felt by the individual (Saadin & Daskin, 2015). It can be stated that perceived feasibility means individuals' ability that they feel capable and personally worthy of executing social entrepreneurship opportunities. Furthermore, the feasibility generated will lead to innovative ideas which can then create a productive innovation that will have an impact on society. The feasibility and capabilities conceptualized in the individual allow for the confidence to face the challenges that exist (Almqvist and Bjornberg, 2010). According to Shapero and Sokol (1982), the implementation process in entrepreneurship requires a good opportunity analysis in its implementation. In line with this statement, entrepreneurship is based on individuals who feel worthy and individuals who can analyze business opportunities well so that they can implement them on market demand (Esfandiar et al., 2017; Otache et al., 2021; Solesvik et al., 2014). Thus, the hypotheses can be postulated as follows:

H8: PF has a significant effect on perceived opportunity

H9: PF has a significant effect on socio-entrepreneurial goal intention

### **3.3.6. Perceived Opportunity (PO)**

Perceived opportunities reflect the recognition of entrepreneurial opportunities that require awareness of how credible opportunities are (Doan & Phan, 2020). To address entrepreneurial opportunities, the first step that must be taken is to have the ability to see opportunities (Bohlmann et al., 2017). After the opportunity is identified, it depends on the desire or goal and the individual's ability to respond to it, because everyone's perception of opportunities will be different (Stevenson & Jarillo, 2007). However, they often have a motive that only focuses on profit, even though the current business concept should be broader than that, for example by adding a social element (Roy et al., 2015). Previous studies view the process of individuals creating new businesses as interesting, and how individuals perceive themselves as having the ability to become entrepreneurs, will affect how they manage opportunities that will move to the level of entrepreneurial intention (Esfandiar et al., 2017; Haq et al., 2014). Based on the explanation above, the hypothesis can be stated as follows:

H10: PO has a significant effect on socio-entrepreneurial goal intention



### **3.3.7. Propensity to Act (PA)**

The propensity to act is conceptualized as a disposition to take action and setting goals for the actions and opportunities created. (Krueger et al., 2000; Steil et al., 2020). The tendency to act also represents the desire to pursue the decisions taken and is closely related to the perception of one's own power to do so (Kramer et al., 2011). When new opportunities are comprehensively exploited by individuals, they show a tendency to act or pursue different changes (Stål et al., 2013). This means that when opportunities arise, they tend to influence someone to take action. Previous findings conclude that there are three drivers of entrepreneurial intention, which include intrapersonal and external attractiveness and the ability to achieve productive business and these actions can have a social impact on the community (Walter & Heinrichs, 2015). Therefore, the hypotheses can be postulated as follows:

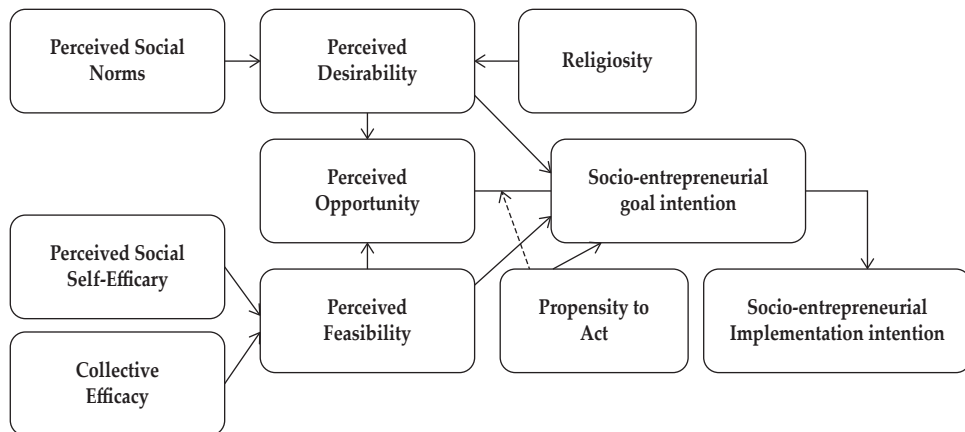
H11: PA has a significant effect on socio-entrepreneurial goal intention

H12: PA moderates relationship between PO and Socio-entrepreneurial goal intention

### **3.3.8. Social Entrepreneurial Goal Intention (SEGI)**

Goals can be viewed as a representation of a schema about how the future will affect a person's motivation (Elfving et al., 2017). Goals have an impact on individual performance and behavior, such as helping to shape our efforts so that our efforts are relevant to the goals and ignoring activities that are not relevant (Locke & Latham, 2002). In terms of entrepreneurship, different goals will result in different entrepreneurial processes (Shane, 2003). Before reaching the entrepreneurial process, goals will lead someone to a stronger intention to start entrepreneurship (Jie & Harms, 2017). Research by Pham et al. (2021) concludes that SEGI and socio-entrepreneurial implementation intention (SEII) have a significant positive relationship. The phase where a person has a strong motivation to do something because of the goals that have been formed, will determine the next step (van Gelderen et al., 2018). This means that the more specific a goal is, the higher the intention and implementation of a thing will be. Therefore, the researcher has the following hypothesis:

H13: SEGI has a significant effect on socio-entrepreneurial goal intention  
Therefore, the proposed model can be seen in Figure 2.



Source: Developed from Krueger et al. (2017) and Esfandiar et al. (2017)

**Figure 2.**  
**Conceptual Model**

## IV. RESULTS AND ANALYSIS

### 4.1. Results

#### 4.1.1. Screening Data and Sample Adequacy

The filled questionnaires were checked to ensure no missing data. Next, we verify the common method bias (CMB), because the responses from the respondents were taken at the same time, thus potentially affecting the validity (Podsakoff et al., 2003). The output of the Harman's single factor test shows a seven-factor structure (eigenvalues greater than 1), with a maximum variance of one factor of 47.3 percent and each factor contributing less than 50 percent of the covariance in the variables. The test results show that the CMB problem that might interfere with data validity can be avoided (Rodríguez-Ardura & Meseguer-Artola, 2020).

Regarding the minimum sample adequacy guidelines, we follow the advice of Hair et al. (2021), using the inverse square root method of Kock and Hadaya (2018). This is because, the statistical analysis based on the minimum sample size, would be robust and generalizable (Hair et al., 2021). With a common power level (80%), significance (5 percent) and path coefficient (0.15), the minimum sample size is 155. Since the final sample size in this study is 206, it meets the requirements for PLS-SEM analysis.

#### 4.1.2. Measurement Model Assessment (Outer Model)

Before testing the hypothesis (i.e. structural model). We check the values of Cronbach's alpha ( $\alpha$ ) and composite reliability (CR). The Cronbach's alpha is in the range of 0.821 to 0.917 while CR is in the range of 0.754 to 0.889. These results confirm the reliability of the internal consistency of the constructs ( $\alpha$  and CR > 0.70), as recommended by Hair et al. (2019). In addition, tests on convergent and discriminant validity were carried out, by examining the values of outer loadings and average variance extracted (AVE) and the discriminant validity is checked by looking at the Fornell-Larcker criterion (Hair et al., 2014)

The test shows that the overall outer loading value is higher than 0.70, is in the range of 0.744 to 0.931, while the AVE value is in the range of 0.652 to 0.820 ( $> 0.50$ ). These results indicate a convergent validity among reflective constructs (Hair et al., 2019). Meanwhile, the output of the Fornell Larcker criterion shows that the square root AVE value of each AVE construct is greater than the highest correlation with other constructs. Thus, all constructs in the research model show discriminant validity (Hair et al., 2019). Table 3 and 4 provide details of the results of reliability and validity in this study

**Table 3.**  
**Reliability and Convergence Validity Outcome**

Measurement Item		Loadings
Collective efficacy; $\alpha = 0.807$ ; $CR = 0.886$ ; $AVE = 0.721$		
CE1	I believe in collectively oriented activities as a team to launch a social business	0.838***
CE2	If I form a team, I believe the abilities and skills of our team members are necessary to succeed	0.853***
CE3	If I form a team, I believe as a unit can generate problem solving ideas.	0.855***
Propensity to Act; $\alpha = 0.821$ ; $CR = 0.893$ ; $AVE = 0.737$		
PA1	I will have a lot of inclination to act on the opportunity to start a social business	0.780***
PA2	I will decide to take action, when the opportunity to start a social business arises	0.920***
PA3	I will be excited to follow up the opportunity to start a social business	0.871***
Perceived Social Self-efficacy; $\alpha = 0.821$ ; $CR = 0.893$ ; $AVE = 0.737$		
PSE1	I can react quickly to take advantage of social business opportunities	0.830***
PSE2	I can come up with socially oriented business ideas	0.854***
PSE3	I can make a social contribution through the business I will manage	0.825***
PSE4	I can develop plans and presentations for potential investors	0.792***
Perceived Desirability; $\alpha = 0.87$ ; $CR = 0.92$ ; $AVE = 0.79$		
PD1	I want to start my own social business	0.868***
PD2	I want to start a career as a social entrepreneur	0.922***
PD3	Overall, having my own social business is my biggest wish	0.882***
Perceived Feasibility; $\alpha = 0.88$ ; $CR = 0.93$ ; $AVE = 0.82$		
PF1	It would be practical for me to start my own or jointly owned social business	0.861***
PF2	It's possible for me to start my own social business or co-owned	0.931***
PF3	It's possible for me to have my own social business or co-owned	0.922***
Perceived Opportunity; $\alpha = 0.81$ ; $CR = 0.89$ ; $AVE = 0.73$		
PO1	I have seen a good opportunity to start a social business	0.842***
PO2	I will identify good opportunities in starting a social business	0.891***
PO3	I can take advantage of the opportunities that exist to start a social business	0.832***
Religiosity; $\alpha = 0.75$ ; $CR = 0.85$ ; $AVE = 0.66$		
RG1	In Islam, being a social entrepreneur is recommended	0.744***
RG2	I feel that being a social entrepreneur can bring me closer to God.	0.906***
RG3	I know the blessings of running a socially oriented business	0.795***
Perceived Social Norms; $\alpha = 0.82$ ; $CR = 0.88$ ; $AVE = 0.65$		
PSN1	If I start my own social business, my parents would be supportive.	0.820***
PSN2	If I start my own social business, my best friend will support	0.830***
PSN3	If I start my own social business, the opinions of people I respect are important	0.788***

**Table 3.**  
**Reliability and Convergence Validity Outcome**

Measurement Item	Loadings
PSN4 If I start my own social business, the opinions of those closest to me are important	0.790***
Socio-entrepreneurial Goal Intention; $\alpha = 0.85$ ; $CR = 0.91$ ; $AVE = 0.78$	
EG1 One of my professional goals is to become a socially oriented entrepreneur	0.872***
EG2 I will make every effort to start my own or jointly owned social business	0.893***
EG3 I want to start my own or jointly owned social business in the future	0.884***
Socio-entrepreneurial Implementation Intention; $\alpha = 0.81$ ; $CR = 0.89$ ; $AVE = 0.73$	
EI1 I'm determined to make my own social business or co-owned in the near future	0.882***
EI2 I am seriously thinking about starting a business to solving social problems	0.889***

Note: \*\*\* is significance at 0.001

**Table 4.**  
**Discriminant Validity Outcome**

	1	2	3	4	5	6	7	8	9	10
CE	0.849									
EG	0.637	0.883								
EI	0.505	0.710	0.886							
PSN	0.465	0.539	0.430	0.807						
PD	0.458	0.633	0.606	0.502	0.891					
PF	0.543	0.671	0.591	0.531	0.600	0.905				
PO	0.510	0.604	0.630	0.422	0.675	0.661	0.856			
PA	0.616	0.706	0.680	0.525	0.620	0.636	0.653	0.859		
RG	0.369	0.400	0.383	0.535	0.411	0.356	0.375	0.401	0.818	
PSE	0.640	0.661	0.657	0.447	0.564	0.566	0.652	0.752	0.418	0.825

#### 4.1.3. Structural Model Assessment (Inner Model)

*Model fit and multicollinearity test.* Standardized root means square residual (SRMR) is used for the suitability of the model. The SRMR shows good results (i.e., 0.060). They are in accordance with the recommendations of Henseler et al. (2014), namely the SRMR value  $< 0.080$ . Furthermore, the value of the variance inflation factor (VIF) is used to verify the absence of multicollinearity. The VIF ranges from 1.000 to 2.447, which is below the threshold of 3 (Hair et al., 2019). Thus, the multicollinearity is not an issue (see Table 5).

**Table 5.**  
**Effect Size and Multicollinearity**

PLS Path	VIF	$f^2$	BCCI (2.5%)	BCCI (97.5%)
CE -> PF	1.692	0.089	0.067	0.583
PSE -> PF	1.692	0.129	0.079	0.601
PSN -> PD	1.400	0.155	0.186	0.539
RG -> PD	1.400	0.040	0.038	0.335
PF -> PO	1.563	0.231	0.236	0.534
PD -> PO	1.563	0.273	0.302	0.585
RG -> EG	1.307	0.012	-0.036	0.182
PD -> EG	2.242	0.037	0.020	0.325
PF -> EG	2.118	0.098	0.108	0.463
PA -> EG	2.447	0.001	-0.150	0.152
PO -> EG	2.211	0.144	0.205	0.485
EG-> EI	1.000	1.017	0.619	0.778
PO x PA -> EG	1.141	0.010	-0.100	0.058

*Hypothesis test.* Table 6 presents the results analysis of PLS-SEM. It shows that CE has a significant positive effect on PF ( $\beta = 0.306, p < 0.05$ ), PSE has a significant positive effect on PF ( $B = 0.370, p < 0.05$ ), PSN has a significant positive effect on PD ( $\beta = 0.395, p < 0.05$ ), RG has a significant positive effect on PD ( $\beta = 0.200, p < 0.05$ ), PF has a significant positive effect on PO ( $\beta = 0.399, p < 0.05$ ), PD has a significant positive effect on SEGI ( $\beta = 0.180, p < 0.05$ ), PF has a significant positive effect on SEGI ( $\beta = 0.283, p < 0.05$ ), PA has a significant positive effect on SEGI ( $\beta = 0.351, p < 0.05$ ) and SEGI has a significant positive effect on SEII ( $\beta = 0.710, p < 0.05$ ). In contrast to the results above, RG has insignificant effect on EG ( $\beta = 0.077, p > 0.05$ ), PO has insignificant positive effect on EG ( $\beta = 0.024, p > 0.05$ ) and PA does not moderate the relationship between PO and EG ( $\beta = -0.052, p > 0.05$ ). Therefore, *H1, H3, H4, H5, H6, H7, H8, H9, H11* and *H13* are supported in this study, while *H2, H10* and *H12* are not.

**Table 6.**  
**Hypothesis Test**

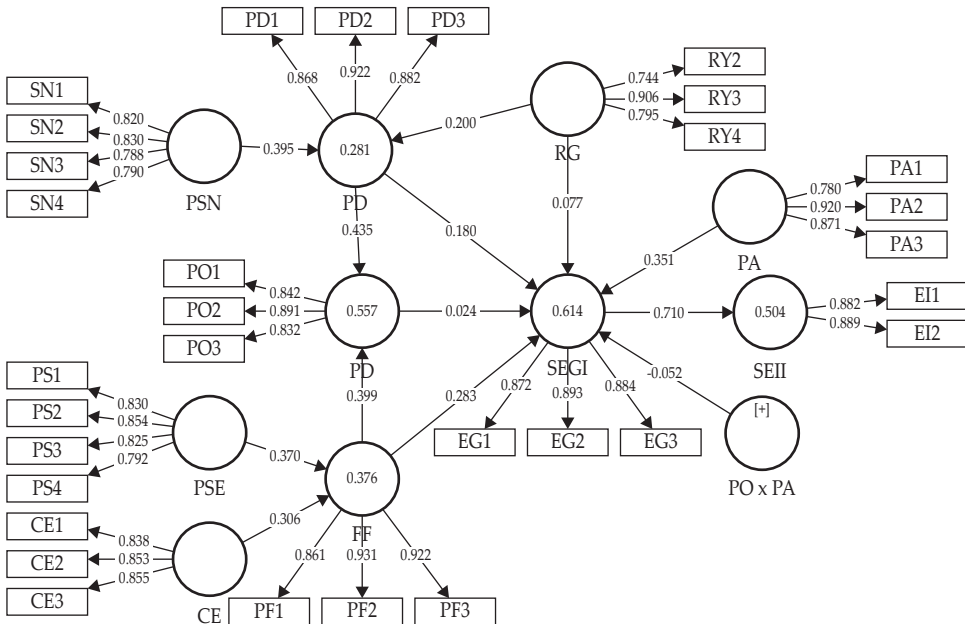
PLS-Path	$\beta$	Mean	St.Dev	<i>t</i> -values	<i>p</i> -values	Supported?
CE -> PF	0.306	0.304	0.134	2.279	0.023	yes
PSE -> PF	0.370	0.374	0.136	2.712	0.007	yes
PSN -> PD	0.395	0.400	0.087	4.531	0.000	yes
RG -> PD	0.200	0.199	0.075	2.675	0.008	yes
PF -> PO	0.399	0.405	0.078	5.146	0.000	yes
PD -> PO	0.435	0.432	0.071	6.118	0.000	yes
RG -> EG	0.077	0.084	0.057	1.361	0.174	no
PD -> EG	0.180	0.183	0.080	2.249	0.025	yes
PF -> EG	0.283	0.265	0.093	3.054	0.002	yes
PA -> EG	0.351	0.352	0.074	4.713	0.000	yes
PO -> EG	0.024	0.032	0.076	0.316	0.752	no
EG-> EI	0.710	0.712	0.040	17.583	0.000	yes
PO x PA -> EG	-0.052	-0.049	0.037	1.407	0.160	no

*Coefficient of determination (R<sup>2</sup>).* The coefficient determination of SEGI has the largest value ( $R^2 = 0.614$ ), followed by PO ( $R^2 = 0.557$ ) and SEII ( $R^2 = 0.504$ ). They all lie at a satisfactory level greater than the 0.25 as suggested by Hair et al. (2019). However, most of the unexplained variance indicates that there are other important factors not included in the model (see Table 7).

*Predictive relevance.* Predictive relevance is based on the Stone – Geisser’s  $Q^2$ . The value of  $Q^2$  can be seen as a reference for the predictive relevance of the independent variable for the dependent variable (Hair et al., 2019). The entrepreneurial goal intention construct has the largest  $Q^2$  value (0.473), followed by perceived opportunity ( $Q^2 = 0.403$ ), entrepreneurial implementation intention ( $Q^2 = 0.391$ ), perceived feasibility ( $Q^2 = 0.291$ ) and perceived desirability ( $Q^2 = 0.216$ ). These values are above the minimum threshold value of 0. This indicates that the observed values have been well reconstructed and thus the model has predictive accuracy (see Table 7). The structural model results can be seen in Figure 3.

**Table 7.**  
**Coefficient Determination and Blindfolding**

Constructs	SSO	SSE	$Q^2$	$R^2$	$R^2 Adj.$
SEGI	618	336.794	0.455	0.614	0.603
SEII	412	251.429	0.391	0.504	0.502
PD	618	484.401	0.216	0.281	0.274
PF	618	438.191	0.291	0.376	0.369
PO	618	368.886	0.403	0.557	0.553



**Figure 3.**  
**PLS-SEM Outcome**

#### 4.1.4. Robustness Tests

*Unobserved heterogeneity.* We apply a finite mixture partial least square (FIMIX-PLS) setting to identify bias in parameter estimation and avoid inferential error rather than ignoring unobserved heterogeneity in the PLS pathway model (Sarstedt et al., 2020). Prior to the analysis, we determine the maximum number of segments by calculating the minimum sample size required to estimate each segment. In this study, the maximum number of arrows pointing to the dependent variable (i.e. entrepreneurial goal intention) is 6, at 5% significance, 95% power level and  $f^2$  was 0.20, the minimum sample size for the FIMIX-PLS analysis is 68. As the minimum sample for FIMIX analysis is 68, the three-segment solution is considered acceptable. The results in Table 8 and 9 show that the segment potential is 3, because AIC4 and BIC are clustered in the same segment (Sarstedt et al., 2011). However, we conclude that the unobserved heterogeneity is not at a critical level, because (Hair, Jr. et al., 2016; Sarstedt et al., 2020); (1) AIC3 and CAIC are in different segments, (2) The number of potential segments is 3, but the minimum value of AIC is also in segment 3. Table 8 and 9 shows the results of the FIMIX-PLS analysis.

**Table 8.**  
**Unobserved Heterogeneity Outcome**

	Segment 1	Segment 2	Segment 3
AIC (Akaike's Information Criterion)	2286.099	2137.088	<b>2056.142</b>
AIC3 (Modified AIC with Factor 3)	2304.099	2174.088	<b>2112.142</b>
AIC4 (Modified AIC with Factor 4)	2322.099	2211.088	<b>2168.142</b>
BIC (Bayesian Information Criteria)	2346.001	2260.219	<b>2242.503</b>
CAIC (Consistent AIC)	2364.001	<b>2297.219</b>	2298.503
HQ (Hannan Quinn Criterion)	2310.325	2186.887	<b>2131.513</b>
MDL5 (Minimum Description Length with Factor 5)	<b>2729.608</b>	3048.745	3435.947
LnL (LogLikelihood)	-1125.05	-1031.544	<b>-972.071</b>
EN (Entropy Statistic (Normed))	n/a	0.822	<b>0.893</b>
NFI (Non-Fuzzy Index)	n/a	0.852	<b>0.895</b>
NEC (Normalized Entropy Criterion)	n/a	36.693	<b>21.994</b>

**Table 9.**  
**Relative Segment Sizes**

Number of segments	Segment 1	Segment 2	Segment 3
1	1.000		
2	0.716	0.284	
3	0.700	0.258	0.041

*Non-linearity.* This study uses non-linearity criteria for robustness test (Sarstedt et al., 2022). This is because, when the relationship between two constructs is nonlinear, the size of the effect between the two constructs does not only depend on the magnitude of the change in the exogenous construct but also on its value (Hair et al., 2018). Therefore, this study considers the polynomial model and adds a quadratic effect. Bootstrapping results with 5000 samples indicate that the nonlinear effects are not significant (see Table 10). Therefore, we conclude that the linear effects model is robust.

**Table 10.**  
**Quadratic Effects**

PLS-Path	B	Mean	St.Dev	t-values	p-values
Quadratic Effect (CE -> PF)	-0.082	-0.096	0.068	1.200	0.230
Quadratic Effect (PSE -> PF)	0.006	0.024	0.091	0.063	0.950
Quadratic Effect (PSN -> PD)	-0.042	-0.040	0.045	0.934	0.350
Quadratic Effect (RG -> PD)	-0.040	-0.045	0.059	0.682	0.495
Quadratic Effect (PF -> PO)	0.052	0.036	0.052	0.993	0.321
Quadratic Effect (PD -> PO)	0.074	0.084	0.046	1.608	0.108
Quadratic Effect (RG -> EG)	-0.003	-0.009	0.042	0.078	0.938
Quadratic Effect (PD -> EG)	0.002	0.003	0.042	0.056	0.955
Quadratic Effect (PF -> EG)	-0.053	-0.056	0.033	1.619	0.105
Quadratic Effect (PA -> EG)	0.004	0.004	0.063	0.059	0.953
Quadratic Effect (PO -> EG)	0.018	0.002	0.069	0.269	0.788
Quadratic Effect (EG -> EI)	0.015	0.021	0.032	0.463	0.643

*Endogeneity.* Assessment of potential endogeneity following the procedure of Hult et al. (2018), by applying the Gaussian Copula approach through the latent variable scores from the model as input (Park & Gupta, 2012; Sarstedt et al., 2020). First, we apply the normality test (i.e. the Kolmogorov Smirnov test with Lilliefors) on variables that have the potential of being endogenous (Sarstedt & Mooi, 2019). The latent variable that functions as the independent variable in the model shows that it is not normally distributed so it is necessary to carry out an endogeneity analysis. Moreover, we identify at least five models that need to be analyzed for endogeneity, namely; perceived desirability (model 1), perceived feasibility (model 2), perceived opportunity (model 3), entrepreneurial goal intention (model 4), and entrepreneurial goal implementation (model 5). The analysis show that none of the Gaussian copulas is significant ( $< 0.05$ ), except for the perceived desirability as a single construct (model 3). However, when looking at the overall results in model 3, the value of perceived desirability (i.e. including perceived feasibility) is not significant. Therefore, overall endogeneity is not an issue in this study (see Table 11).

**Table 11.**  
**Endogeneity Outcome**

Test	Coefficient	p-values
Gaussian copula of model 1		
Copula PSN -> PD	-0.006	0.852
Copula RG -> PD	-0.028	0.461
(RG, PSN) Copula RG-> PD	-0.036	0.424
(RG, PSN) Copula PSN-> PD	0.012	0.747
Gaussian copula of model 2		
Copula CE -> PF	-0.022	0.586
Copula PSE -> PF	0.007	0.891
(CE, PSE) Copula CE -> PF	-0.037	0.46
(CE, PSE) Copula PSE -> PF	0.036	0.527



**Table 11.**  
**Endogeneity Outcome (Continued)**

Test	Coefficient	<i>p</i> -values
Gaussian copula of model 3		
Copula PF -> PO	0.048	0.174
Copula PD -> PO	0.053	0.025
(PF, PD) Copula PF -> PO	0.014	0.755
(PF, PD) Copula PD -> PO	0.047	0.122
Gaussian copula of model 4		
Copula RG -> EG	0.013	0.586
Copula PD -> EG	0.001	0.979
Copula PO -> EG	-0.053	0.063
Copula PF -> EG	-0.05	0.06
Copula PA -> EG	-0.013	0.621
(RG, PD, PO, PF, PA) Copula RG -> EG	0.04	0.198
(RG, PD, PO, PF, PA) Copula PD -> EG	0.034	0.317
(RG, PD, PO, PF, PA) Copula PO -> EG	-0.07	0.065
(RG, PD, PO, PF, PA) Copula PF -> EG	0.065	0.085
(RG, PD, PO, PF, PA) Copula PA -> EG	0.018	0.627
Gaussian copula of model 5		
Copula EG -> EI	0.04	0.06

## 4.2. Analysis

This study empirically examines individual intention in entrepreneurship that is oriented towards social missions in addition to maximizing profits. First, the PF results, on the whole, support the previous findings. This explains previous findings regarding collective beliefs in achieving social entrepreneurship goals which are also in line with individual beliefs in performing tasks that require social interaction (Esfandiar et al., 2017; Gecas, 2009; Smith & Betz, 2000). These findings indicate that an environment that builds the ability of the Muslim youth in implementing the social function of entrepreneurship can increase the opportunities to understand the importance of social aspects above the profit-maximizing function (Gecas, 2009; Smith & Betz, 2000). *Second*, CE is a significant determinant of PF. This finding means that individual beliefs are supported by a collaborative attitude among stakeholders, which creates trust and confidence in achieving the goals of socially based entrepreneurship (Doanh & Bernat, 2019; Esfandiar et al., 2017). The younger generation of Muslims who have a strong belief in social entrepreneurship can be supported by parties who can direct individuals in the process. This is based on the belief that collective actions taken can have a more tangible impact on society (Esfandiar et al., 2017).

Likewise, the PD results, on the whole, also support the previous findings; *First*, the results of the study state that the PD is supported by RG. This means that Muslim youth who have a good level of religiosity have a better perspective on their work. They are of the view that creating business value is one of the spiritual paths that can be taken (John et al., 2022). The Muslim youth who have good religiosity have an understanding that entrepreneurship is one of the social missions that

must be carried out, as well as a better understanding that the value creation of a business is not only profit-oriented. This is in line with previous research that religious belief is one of the factors that can influence decisions and influence the perspective of business actors in determining the value created in business (John et al., 2022; Ranjani, 2017; Torres-Harding et al., 2013). *Second*, PSN has an effect on PD. Thus, the cultural values of the local community directly affect the intention of the younger generation to have business establishments (Hosseini & Shiri, 2010; Shook & Bratianu, 2010). This is because individuals who are in a competitive environment in establishing a business can give a positive reference to the value of business creation. So that it increases the attractiveness of the younger generation in terms of social entrepreneurship (Omidi Najafabadi et al., 2016).

In relation to perceived opportunities, the findings show that both are supported (i.e. PD and PF). The overall findings underscore that the emerging opportunities in relation to the development of socially based businesses can increase along with the decision of the younger generation to become entrepreneurs by utilizing information with the knowledge they have (Krueger, 2017; Saadin & Daskin, 2015). The greater the confidence of the Muslim youth in realizing their business, the greater the opportunities available to them in filling vacancies in socially oriented business positions (Esfandiar et al., 2017; Otache et al., 2021). Also, perceived positive factors then influence positive perceptions so that individuals can identify social business opportunities by analyzing the business further, not only for profit but for benefits to society (Shapero & Sokol, 1982). This is in line with previous research which suggests that the more positive a person's perception of entrepreneurial behavior and its consequences, the greater the perception of creating opportunities that lead to the intention of entrepreneurial goals to be achieved (Almqvist & Bjornberg, 2010; Esfandiar et al., 2017; Shook & Bratianu, 2010).

As regards to the SEGI construct, the results show that most of the antecedents have a significant positive effect, except for RG, PO and PA (as moderator). This finding is interesting because previous studies focusing on RG and PO constructs suggest their strong correlation to individual intention in entrepreneurship (David & Lawal, 2018; Esfandiar et al., 2017; Haq et al., 2014; Ranjani, 2017). This can be interpreted that the level of spirituality of the younger generation in its output doesn't directly affect the intention of social entrepreneurship, but rather forms a positive perception of Muslim youth when carrying out their social functions later. Referring to insignificant of PO, it is most likely due to the sample used, where in practice most of them are still in formal education so they cannot identify the opportunities that exist even though they are always around them. In addition, decision-making based on the probability of social entrepreneurship may not necessarily be able to directly implement actions in the field, because in its application, business people must be able to distinguish between decisions that are socially oriented and those that are profit-oriented.

Contrarily, the results of the analysis show that SEGI is significantly influenced by PD, PF, and PA. The findings provide information that the level of attractiveness of Muslim youth in social-based entrepreneurship supported by a belief in value creation oriented to social missions is able to determine the intention of social entrepreneurship (Roy et al., 2015; Shook & Bratianu, 2010). In addition, the

tendency to act from Muslim youth who already have a positive reference to the intention of social entrepreneurial goals, ultimately develops the intention to establish a business that has social value with the aim of prospering the community. Overall, it is related to the preference of choosing to be an entrepreneur when they believe that the value and benefits of social entrepreneurship are greater than other occupations, and with this belief, a person strongly decides to take action in its implementation (Boukamcha, 2015; Shook & Bratianu, 2010; Walter & Heinrichs, 2015).

Finally, this study notes that Muslim youth have a positive tendency towards social entrepreneurship. The SEII is formed by a process related to the internal and external influences of Muslim youth. This is in line with previous studies which suggest that the intention of social entrepreneurship is influenced by a combination of social-psychological construction (Jie & Harms, 2017). This supports a transformation in terms of perceptions that lead to desires/intentions, intentions become goals, and actions implemented in terms of social entrepreneurship (Esfandiar et al., 2017).

## **V. CONCLUSION AND RECOMMENDATION**

### **5.1. Conclusion**

This study offers an empirical analysis of the factors that can influence the implementation of social entrepreneurship. Social entrepreneurial intention can be explained by the process that emerges from the integration of the entrepreneurial model, namely from collective efficacy and perceived social self-efficacy showing its significance to perceived feasibility. This can be interpreted that the confidence and ability of the younger generation in terms of social entrepreneurship can increase along with the increasing understanding of the concept. Furthermore, perceived social norms and religiosity are factors that significantly influence perceived desirability. This means that the younger generation generally has social norms or good value-creating culture in the field of business so that they can increase positive perceptions and desires in terms of developing social entrepreneurship. In practice, opportunity creation in social entrepreneurship is influenced by perceived desirability and perceived feasibility. Positive perceptions that can lead to the desire and intention in entrepreneurship that can be supported by obtaining information that includes the concept of social-based entrepreneurship. In terms of intention in the creation of social entrepreneurship, several factors directly affect the entrepreneurial intention itself, namely perceived desirability which includes internal factors. Meanwhile, religiosity has no significant effect on the intention in implementing social-based entrepreneurship. The level of religiosity in terms of social entrepreneurship does not necessarily make the younger generation implement social entrepreneurship, but the factors that greatly influence this intention are beliefs and the ability to manage so that actions or actions arise on their decisions.

## 5.2. Recommendation

*Theory.* Overall, this study applies an analysis that includes the implementation of social entrepreneurs as a complement to the analysis carried out. This research is expected to be a literature that can aid in decision making related to the implementation of social entrepreneurship among the younger generation. This is related to maximizing the competence and understanding of SMEs in the concept of social entrepreneurship to achieve the mission of social welfare.

*Practices.* The government can maximize the role of formal and non-formal educational institutions in enhancing understanding and education related to the concept and implementation of social-based entrepreneurship. The output of the transfer of knowledge is expected to increase intention in the implementation of social entrepreneurship. Furthermore, financial institutions can take a role in maximizing financing related to businesses that implement social entrepreneurship, so that operations and the achievement of social missions can be maximized. The growth of intention in social entrepreneurship can be started from the educational environment so it needs to be conveyed related to the theory and concept of social entrepreneurship in Indonesian Muslim youth. Therefore, students who graduate from college have a high intention in social entrepreneurship. The government can launch social and volunteer-based programs so that the younger generation can understand directly social problems in the community so that empathy grows to contribute directly to the community. This is also expected to foster intention in social entrepreneurship and is expected to be implemented directly in the community.

*Policy.* The government is expected to issue regulations that clarify the direction and objectives as well as regulations that encourage the implementation of social entrepreneurship among the younger generation. This can be done by Bank Indonesia as a regulator in an effort to provide support for business development with a social welfare mission. Bank Indonesia as a policy maker can create teaching curricula related to social entrepreneurship and become a consultant in terms of social entrepreneurship practices. Support for a social entrepreneur also needs to be done, one of which is by providing incentives in carrying out productive businesses. It is hoped that from these incentives, the social impact of entrepreneurship that is carried out can have a greater impact on the community. Besides contributing in terms of finance, Bank Indonesia can also provide assistance to projects implementing social entrepreneurship. Bank Indonesia needs to conduct social entrepreneurship training related to the concept, implementation and social contribution that can be given to the community. This can be done by Bank Indonesia in creating a comfortable and supportive environment for the creation of social entrepreneurship so as to increase intention and implementation in social entrepreneurship.

## 5.3. Limitation and Future Study

There are limitations in this study, which we suggest for future research. Although this study has good results, it should be analyzed very carefully. This is because the sample used is spread over the island of Java, does not accommodate samples outside the island of Java due to the large area and large population in Indonesia.

Future studies could use a more inclusive and comprehensive sample capable of accommodating Indonesians in general so that it will produce more reliable results. In addition, this study applies only direct testing with the complete group analysis. Therefore, for further research, it can be analyzed more deeply using the multi group analysis (MGA) which can compare between Islamic schools and non-Islamic boarding schools, so that differences and comparisons can be seen in terms of entrepreneurship implementation. Further research can add some analysis on the demographics of respondents such as culture, ethnicity, and customs. It is hoped that more research will be carried out to enrich the information and contribute to the literature on social entrepreneurship, especially from the Islamic perspective as well as in the context of developing countries.

## REFERENCES

- Almqvist, S., & Bjornberg, A. (2010). *Selecting self-employment: The influence of female entrepreneurs in Gaborone*. In Bachelor Thesis, Stockholm School of Economics, Stockholm.
- Aloulou, W. J., & Algarni, E. A. (2022). Determinants of social entrepreneurial intention: Empirical evidence from the Saudi context. *Social Enterprise Journal*, 18(4), 605-625.
- Balog, A. M., Baker, L. T., & Walker, A. G. (2014). Religiosity and spirituality in entrepreneurship: A review and research agenda. *Journal of Management, Spirituality and Religion*, 11(2), 159-186.
- Becker, J.-M., Ringle, C. M., & Sarstedt, M. (2018). Estimating moderating effects in PLS-SEM and PLSc-SEM: Interaction term generation\*data treatment. *Journal of Applied Structural Equation Modeling*, 2(2), 1-21.
- Bohlmann, C., Rauch, A., & Zacher, H. (2017). A lifespan perspective on entrepreneurship: Perceived opportunities and skills explain the negative association between age and entrepreneurial activity. *Frontiers in Psychology*, 8(2015), 1-11.
- Boubker, O., Arroud, M., & Ouajdouni, A. (2021). Entrepreneurship education versus management students' entrepreneurial intentions. A PLS-SEM approach. *The International Journal of Management Education*, 19(1), 100450.
- Boukamcha, F. (2015). Impact of training on entrepreneurial intention: An interactive cognitive perspective. *European Business Review*, 27(6), 593-616.
- Campopiano, G., & Bassani, G. (2021). Social innovation: Learning from social cooperatives in the Italian context. *Journal of Cleaner Production*, 291(April), 125253.
- Chen, G., Gully, S. M., & Eden, D. (2004). General self-efficacy and self-esteem: Toward theoretical and empirical distinction between correlated self-evaluations. *Journal of Organizational Behavior*, 25(3), 375-395.
- Claeyé, F., Boughattas, Y., & Tornikoski, E. T. (2022). Formation of social entrepreneurial intention: A qualitative grounded approach at the base of the pyramid. *Administrative Sciences*, 12(1), 1-16.
- David, J., & Lawal, M. C. (2018). Religiosity and entrepreneurial intentions in Nigeria. *Esensi: Jurnal Bisnis dan Manajemen*, 8(2), 211-222.

- Davids, F. (2017). *The theory of planned behaviour and the entrepreneurial event model as predictive models of entrepreneurial intention*. In Thesis, University of Cape Town, 1-105.
- Doan, X. T., & Phan, T. T. H. (2020). The impact of entrepreneurial education on entrepreneurial intention: The case of Vietnamese. *Management Science Letters*, 10(8), 1787-1796.
- Doanh, D. C., & Bernat, T. (2019). Entrepreneurial self-efficacy and intention among Vietnamese students: A meta-analytic path analysis based on the theory of planned behavior. *Procedia Computer Science*, 159, 2447-2460.
- Dwi Saputra, A., Rahmatia, A., & Muslimah, M. (2021). How far are the benefits of the Islamic philanthropy and social entrepreneurship movement? *El-Qish: Journal of Islamic Economics*, 1(1), 11-24.
- Elfving, J., Brännback, M., & Carsrud, A. (2017). Revisiting a contextual model of entrepreneurial intentions. In Brännback, M., & Carsrud, A. (eds.), *Revisiting the entrepreneurial mind. International studies in entrepreneurship*, vol 35. Cham: Springer. [https://doi.org/10.1007/978-3-319-45544-0\\_7](https://doi.org/10.1007/978-3-319-45544-0_7)
- Esfandiar, K., Sharifi-Tehrani, M., Pratt, S., & Altinay, L. (2017). Understanding entrepreneurial intentions : A developed integrated structural model approach. *Journal of Business Research*, 94(January), 172-182.
- Etikan, I. (2016). Comparison of convenience sampling and purposive sampling. *American Journal of Theoretical and Applied Statistics*, 5(1), 1-4.
- Farinha, L., Sebastião, J. R., Sampaio, C., & Lopes, J. (2020). Social innovation and social entrepreneurship: Discovering origins, exploring current and future trends. *International Review on Public and Nonprofit Marketing*, 17(1), 77-96.
- Gecas, V. (2009). The Social psychology of self-efficacy. *Review Literature and Arts of The Americas*, 15(1989), 291-316.
- Gümüşay, A. A. (2015). Entrepreneurship from an Islamic Perspective. *Journal of Business Ethics*, 130(1), 199-208.
- Gursoy, D., Altinay, L., & Kenebayeva, A. (2017). Religiosity and entrepreneurship behaviours. *International Journal of Hospitality Management*, 67(March), 87-94.
- Hair, J. F., Hult, T., Ringle, C., & Sarstedt, M. (2014). *A primer on partial least squares structural equation modeling (PLS-SEM)*. Thousand Oaks, CA: Sage Publications, Inc.
- Hair J. F., Hult, G. T. M., Ringle, C. M., Sarstedt, M., Danks, N. P., & Ray, S. (2021). *Partial least squares structural equation modeling (PLS-SEM) using R: A workbook*. Cham: Springer.
- Hair, J. F., Risher, J. J., Sarstedt, M., & Ringle, C. M. (2019). When to use and how to report the results of PLS-SEM. *European Business Review*, 31(1), 2-24.
- Hair, J. F., Sarstedt, M., Hopkins, L., & Kuppelwieser, V. G. (2014). Partial least squares structural equation modeling (PLS-SEM): An emerging tool in business research. *European Business Review*, 26(2), 106-121.
- Hair, J. F., Sarstedt, M., Matthews, L. M., & Ringle, C. M. (2016). Identifying and treating unobserved heterogeneity with FIMIX-PLS: Part I – method. *European Business Review*, 28(1), 63-76.
- Hair, J. F., Sarstedt, M., Ringle, C. M., & Gudergan, S. (2018). *Advanced Issues in Partial Least Squares Structural Equation Modelling*. Thousand Oaks, CA: Sage.

- Haq, M. A. U., Usman, M., Hussain, N., & Anjum, Z. U. Z. (2014). Entrepreneurial activity in China and Pakistan: A GEM data evidence. *Journal of Entrepreneurship in Emerging Economies*, 6(2), 179–193.
- Haque, A., Anwar, N., Tarofder, A. K., Ahmad, N. S., & Sharif, S. R. (2018). Muslim consumers' purchase behavior towards halal cosmetic products in Malaysia. *Management Science Letters*, 8(12), 1305–1318.
- Hati, S. R. H., & Idris, A. (2014). Antecedents of customers' intention to support Islamic social enterprises in Indonesia: The role of socioeconomic status, religiosity, and organisational credibility. *Asia Pacific Journal of Marketing and Logistics*, 26(5), 707–737.
- Henseler, J., Dijkstra, T. K., Sarstedt, M., Ringle, C. M., Diamantopoulos, A., Straub, D. W., Ketchen, D. J., Hair, J. F., Hult, G. T. M., & Calantone, R. J. (2014). Common beliefs and reality about PLS. *Organizational Research Methods*, 17(2), 182–209.
- Hockerts, K. (2017). Determinants of social entrepreneurial intentions. *Entrepreneurship: Theory and Practice*, 41(1), 105–130.
- Hosseini, S. M., & Shiri, N. (2010). Environmental factors that influence agricultural majors' students' entrepreneurial intentions, Ilam University. *Journal of Entrepreneurship Development*, 4(2), 829–897.
- Hult, G. T. M., Hair, J. F., Proksch, D., Sarstedt, M., Pinkwart, A., & Ringle, C. M. (2018). Addressing endogeneity in international marketing applications of partial least squares structural equation modeling. *Journal of International Marketing*, 26(3), 1–21.
- Ip, C. Y., Liang, C., Lai, H. J., & Chang, Y. J. (2021). Determinants of social entrepreneurial intention: An alternative model based on social cognitive career theory. *Nonprofit Management and Leadership*, 31(4), 737–760.
- Ip, C. Y., Zhuge, T., Chang, Y., Huang, T., & Chen, Y. (2022). Exploring the determinants of nascent social entrepreneurial behaviour. *International Journal of Environmental Research and Public Health*, 19(6), 1–15.
- Jie, S., & Harms, R. (2017). Cross-cultural competences and international entrepreneurial intention: A study on entrepreneurship education. *Education Research International*, 2017(1), 1–12.
- John, R., Mahmood, K., & Rao, Z.-R. (2022). Religiosity and entrepreneurial intentions in Pakistan. *Journal of Business and Social Review in Emerging Economies*, 8(1), 123–138.
- Kannampuzha, M., & Hockerts, K. (2019). Organizational social entrepreneurship: Scale development and validation. *Social Enterprise Journal*, 15(3), 290–319.
- Kock, N., & Hadaya, P. (2018). Minimum sample size estimation in PLS-SEM: The inverse square root and gamma-exponential methods. *Information Systems Journal*, 28(1), 227–261.
- Kramer, M., Cesinger, B., Schwarzinger, D., & Gelléri, P. (2011). Investigating entrepreneurs' dark personality: How narcissism, Machiavellianism, and psychopathy relate to entrepreneurial intention. *Proceedings of the 25th ANZAM Conference*, Wellington, December, 535–542.
- Krueger, N. (1993). Impact of prior entrepreneurial exposure on perceptions of new venture feasibility and desirability. *Entrepreneurship Theory and Practice*, 18(1), 5–21.

- Krueger, N. F. (2017). Entrepreneurial intentions are dead: Long live entrepreneurial intentions. In Brännback, M., Carsrud, A. (Eds.), *Revisiting the entrepreneurial mind. International studies in entrepreneurship*, vol 35. Cham: Springer. [https://doi.org/10.1007/978-3-319-45544-0\\_2](https://doi.org/10.1007/978-3-319-45544-0_2)
- Krueger, N. F., Reilly, M. D., & Carsrud, A. L. (2000). Competing models of entrepreneurial intentions. *Journal of Business Venturing*, 15(5-6), 411-432.
- Locke, E. A., & Latham, G. P. (2002). Building a practically useful theory of goal setting and task motivation: A 35-year odyssey. *American Psychologist*, 57(9), 705-711.
- Martínez-González, J. A., Álvarez-Albelo, C. D., Mendoza-Jiménez, J., & Kobylinska, U. (2022). Predicting the entrepreneurial behaviour of starting up a new company: A regional study using pls-sem and data from the global entrepreneurship monitor. *Mathematics*, 10(5), 1-25.
- Ministry of Cooperatives and SMEs (2022). *Tingkatkan Rasio Kewirausahaan, KemenkopUKM Siapkan Berbagai Program Strategis* [To Increase Entrepreneurship Ratio, KemenkopUKM Prepares Various Strategic Programs]. Kementerian Koperasi dan UKM.
- Mohammadi, P., Kamarudin, S., & Omar, R. (2020). Do Islamic values impact social entrepreneurial intention of university students in Malaysia? An empirical investigation into the mediating role of empathy. *International Journal of Economics and Management*, 14(3), 365-378.
- Omidi Najafabadi, M., Zamani, M., & Mirdamadi, M. (2016). Designing a model for entrepreneurial intentions of agricultural students. *Journal of Education for Business*, 91(6), 338-346.
- Otache, I., Edopkolor, J. E., & Okolie, U. C. (2021). Entrepreneurial self-confidence, perceived desirability and feasibility of hospitality business and entrepreneurial intentions of hospitality management technology students. *International Journal of Management Education*, 19(2), 1-12.
- Paramita, W., Indarti, N., Virgosita, R., Herani, R., & Sutikno, B. (2022). Let ethics lead your way: The role of moral identity and moral intensity in promoting social entrepreneurial intention. *Journal of Business Venturing Insights*, 17(June), 1-9.
- Park, S., & Gupta, S. (2012). Handling endogenous regressors by joint estimation using copulas. *Marketing Science*, 31(4), 567-586.
- Peredo, A. M., & McLean, M. (2006). Social entrepreneurship: A critical review of the concept. *Journal of World Business*, 41(1), 56-65.
- Pham, D., Jones, P., Dobson, S., Liñán, F., & Viala, C. (2021). Entrepreneurial implementation intention as a tool to moderate the stability of entrepreneurial goal intention: A sensemaking approach. *Journal of Business Research*, 123(C), 97-105.
- Phillips, W., Lee, H., Ghobadian, A., O'Regan, N., & James, P. (2015). Social innovation and social entrepreneurship: A systematic review. *Group and Organization Management*, 40(3), 428-461.
- Podsakoff, P. M., MacKenzie, S. B., Lee, J. Y., & Podsakoff, N. P. (2003). Common method biases in behavioral research: a critical review of the literature and recommended remedies. *Journal of Applied Psychology*, 88(5), 879-903.



- Ranjani, D. (2017). Religious diversity and entrepreneurial intentions : A macro-level analysis. *In Thesis*. University of Adger., 1-49.
- Ratten, V., Alamanda, D. T., Ramadani, V., Hashani, M., & Anggadwita, G. (2017). Entrepreneurial intentions from an Islamic perspective: A study of Muslim entrepreneurs in Indonesia. *International Journal of Entrepreneurship and Small Business*, 31(2), 165-179.
- Rehan, F., Block, J., & Fisch, C. (2019). Entrepreneurship in Islamic communities: How do Islamic values and Islamic practices influence entrepreneurship intentions? *Journal of Enterprising Communities*, 13(5), 557-583.
- Rodríguez-Ardura, I., & Meseguer-Artola, A. (2020). Editorial: How to prevent, detect and control common method variance in electronic commerce research. *Journal of Theoretical and Applied Electronic Commerce Research*, 15(2), 1-5.
- Roy, A., Brumagim, A., & Goll, I. (2015). Predictors of social entrepreneurship success: A cross-national analysis of antecedent factors. *Journal of Social Entrepreneurship*, 5(1), 42-59.
- Saadin, M. N., & Daskin, M. (2015). Perceived desirability, feasibility, and social norms as antecedents on hospitality students' entrepreneurial intention in Malaysia: Does gender make a difference? *International Journal of Entrepreneurship and Small Business*, 25(4), 456-474.
- Santos, F. M. (2012). A positive theory of social entrepreneurship. *Journal of Business Ethics*, 111(3), 335-351.
- Sarstedt, M., Becker, J.-M., Ringle, C. M., & Schwaiger, M. (2011). Uncovering and treating unobserved heterogeneity with FIMIX-PLS: Which model selection criterion provides an appropriate number of segments? *Schmalenbach Business Review*, 63(1), 34-62.
- Sarstedt, M., Hair, J. F., Pick, M., Liengaard, B. D., Radomir, L., & Ringle, C. M. (2022). Progress in partial least squares structural equation modeling use in marketing research in the last decade. *Psychology and Marketing*, 39(5), 1035-1064.
- Sarstedt, M., & Mooi, E. (2019). *A concise guide to market research*. Berlin Heidelberg: Springer.
- Sarstedt, M., Ringle, C. M., Cheah, J.-H., Ting, H., Moisescu, O. I., & Radomir, L. (2020). Structural model robustness checks in PLS-SEM. *Tourism Economics*, 26(4), 531-554.
- Shane, S. (2003). *A general theory of entrepreneurship: The individual-opportunity nexus*. Cheltenham, UK: Edward Elgar.
- Shapero, A., & Sokol, L. (1982). The social dimensions of entrepreneurship. In C.A. Kent, D.L. Sexton, & K.H. Vesper (Eds.), *Encyclopedia of entrepreneurship* (pp. 72-90). Englewood Cliffs, NJ: Prentice-Hal.
- Shook, C. L., & Bratianu, C. (2010). Entrepreneurial intent in a transitional economy: An application of the theory of planned behavior to Romanian students. *International Entrepreneurship and Management Journal*, 6(3), 231-247.
- Smith, H. M., & Betz, N. E. (2000). Development and validation of a scale of perceived social self-efficacy. *Journal of Career Assessment*, 8(3), 283-301.
- Solesvik, M., Westhead, P., & Matlay, H. (2014). Cultural factors and entrepreneurial intention: The role of entrepreneurship education. *Education and Training*, 56(8/9), 680-696.

- Sousa-Filho, J. M. de, Matos, S., da Silva Trajano, S., & de Souza Lessa, B. (2020). Determinants of social entrepreneurial intentions in a developing country context. *Journal of Business Venturing Insights*, 14(November), e00207.
- Stål, H. I., Bonnedahl, K. J., & Eriksson, J. (2013). The challenge of introducing low-carbon industrial practices: Institutional entrepreneurship in the agri-food sector. *European Management Journal*, 32(2), 203–215.
- Steil, A. V., de Cuffa, D., Iwaya, G. H., & Pacheco, R. C. dos S. (2020). Perceived learning opportunities, behavioral intentions and employee retention in technology organizations. *Journal of Workplace Learning*, 32(2), 147–159.
- Stevenson, H. H., & Jarillo, J. C. (2007). A paradigm of entrepreneurship: Entrepreneurial management. In Cuervo, A., Ribeiro, D., Roig, S. (Eds.), *Entrepreneurship* (pp. 155–170). Berlin, Heidelberg: Springer.
- Sulung, L. A. K., Ririh, K. R., Putri, N. I. S., & Robbani, M. M. (2020). Religion, attitude, and entrepreneurship intention in Indonesia. *The South East Asian Journal of Management*, 14(1), 44–62.
- Tiwari, P., Bhat, A. K., & Tikoria, J. (2017). Predictors of social entrepreneurial intention: An empirical study. *South Asian Journal of Business Studies*, 6(1), 53–79.
- Torres-Harding, S. R., Carollo, O., Schamberger, A., & Clifton-Soderstrom, K. (2013). Values and religiosity as predictors of engagement in social justice. *Journal of Prevention and Intervention in the Community*, 41(4), 255–266.
- Urbaniec, M. (2018). Sustainability-oriented competencies in entrepreneurship education: Insights from an empirical study on Polish students. *International Entrepreneurship Review*, 4(3), 399–411.
- van Gelderen, M., Kautonen, T., Wincent, J., & Biniari, M. (2018). Implementation intentions in the entrepreneurial process: Concept, empirical findings, and research agenda. *Small Business Economics*, 51(4), 923–941.
- Walter, S. G., & Heinrichs, S. (2015). Who becomes an entrepreneur? a 30-years-review of individual-level research. *Journal of Small Business and Enterprise Development*, 22(2), 225–248.
- Wennekers, S., Van Wennekers, A., Thurik, R., & Reynolds, P. (2005). Nascent entrepreneurship and the level of economic development. *Small Business Economics*, 24(3), 293–309.
- Wibowo, A., Widjaja, S. U. M., Utomo, S. H., Kusumojanto, D. D., Wardoyo, C., Wardana, L. W., & Narmaditya, B. S. (2022). Does Islamic values matter for Indonesian students' entrepreneurial intention? The mediating role of entrepreneurial inspiration and attitude. *Journal of Islamic Accounting and Business Research*, 13(2), 242–263.
- Zhu, C., Shen, J. H., Lee, C-C, & Liu, S. (2022). Does religion belief matter to self-employment of rural elderly? Evidence from China. *Journal of Asian Economics*, 83(December), 1-13.